



# Lite Flush Electric Toilet

LIGHTWEIGHT CONTEMPORARY DESIGN

**A new electric toilet designed to instantly retro-fit your existing manual toilet or to give your bathroom a modern stylish look.**

The innovative design offers both low power and water consumption with an integral rinse and waste pump system. The 'Lite Flush' electric toilet features a simple foot switch. Just press down once to fill the bowl, and press again to flush. The 'Lite Flush' has the same footprint, fixing points and hose attachments as Jabsco's existing manual toilet for ease of installation and a true retro-fit.

## Features and Benefits

- Lightweight and compact
- Stylish and contemporary design
- NEW quiet and efficient flush pump technology
- Low water usage - 1.2 litres (1.3 US Quarts) per flush
- Low power consumption
- Ceramic inner, plastic outer for light weight construction
- Rinse pump integrated into unit for compact design
- Slow close seat and lid



NEW Two Button Controller



a xylem brand

# Lite Flush Electric Toilet LIGHTWEIGHT CONTEMPORARY DESIGN

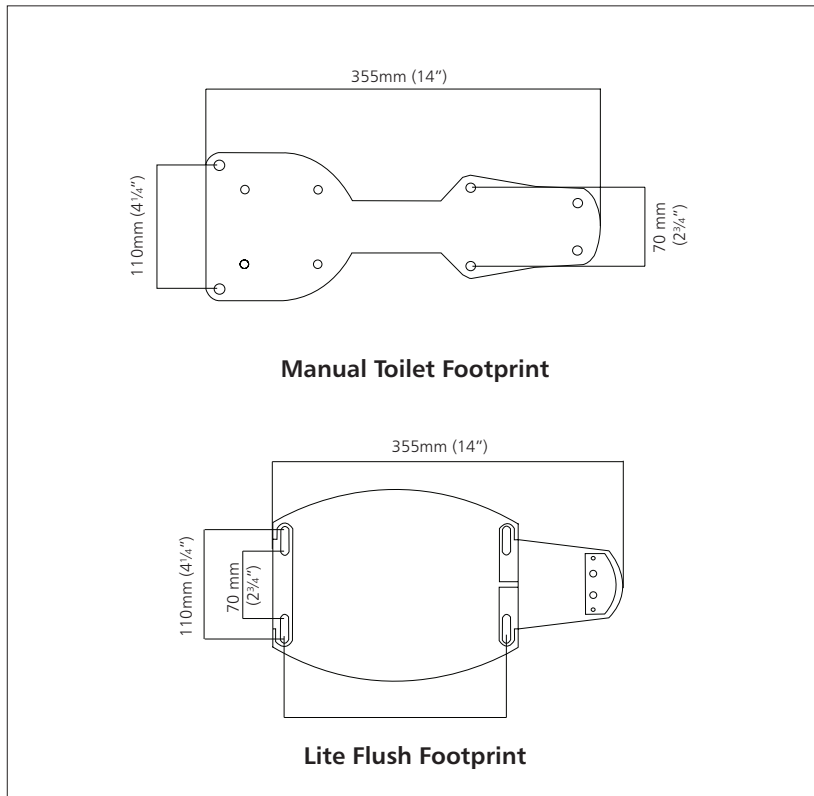


## Simple Foot Switch Feature

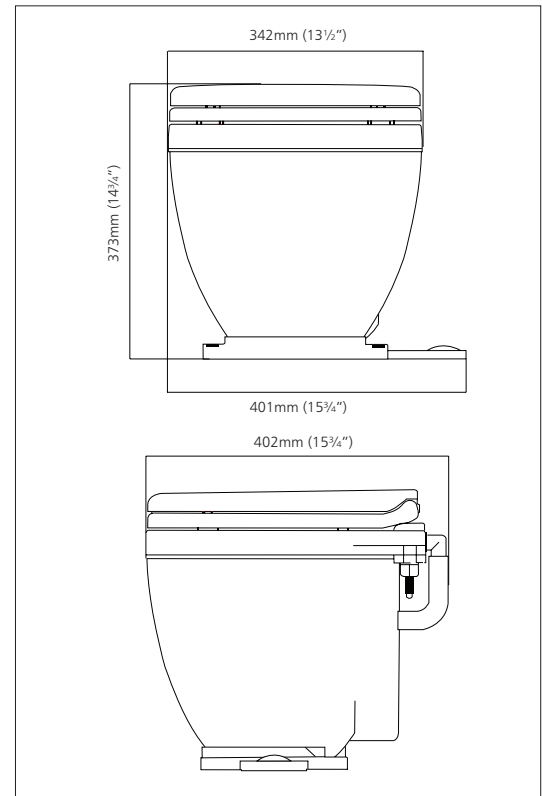
The 'Lite Flush' electric toilet is available with either a footswitch or a control panel. The 'Lite Flush' has the same footprint, fixing points and hose attachments as Jabsco's existing manual toilet for ease of installation and a true retro-fit.

For the footswitch variant, simply press down once to fill the bowl, and press again to flush. The Control Panel variant offers a multi-function 'one touch' pad offering four options - 'fill,' 'quick flush,' 'flush,' or 'empty.'

## Footprint Specifications



## Dimensional Drawings



Description	Part Number	Fuse/Breaker	UPC	
Footswitch Variant	Lite Flush 12V	58500-0012	25amp	671880594189
	Lite Flush 24V	58500-0024	15amp	671880594196
Control Panel Variant	Lite Flush 12V	58500-1012	25amp	671880594202
	Lite Flush 24V	58500-1024	15amp	671880594219



Warranty: All products of the company are sold and all services of the company are offered subject to the company's warranty and terms and conditions of sale, copies of which will be furnished upon request. The information provided herein is for guidance only, it does not constitute a guarantee of the performance or specification of any individual product or component.

[www.xylem.com](http://www.xylem.com)

USA  
Xylem, Inc.  
Cape Ann Industrial Park  
Gloucester, MA 01930  
Tel: (978) 281-0440  
Fax: (978) 283-2619

UK  
Xylem, Inc.  
Bingley Road, Hoddesdon  
Hertfordshire EN11 0BU  
Tel: +44 (0) 1992 450145  
Fax: +44 (0) 1992 467132

GERMANY  
Xylem, Inc.  
Oststrasse 28  
22844 Norderstedt  
Tel: +49-40-53 53 73-0  
Fax: +49-40-53 53 73-11

JAPAN  
NHK Jabsco Company Ltd.  
3-21-10, Shin-Yokohama  
Kohoku-Ku, Yokohama, 222-0033  
Tel: +81-045-475-8906  
Fax: +81-045-477-1162

ITALY  
Xylem, Inc.  
Via Tommaseo, 6  
20059 Vimercate, Milano  
Tel: +39 039 685 2323  
Fax: +39 039 666 307